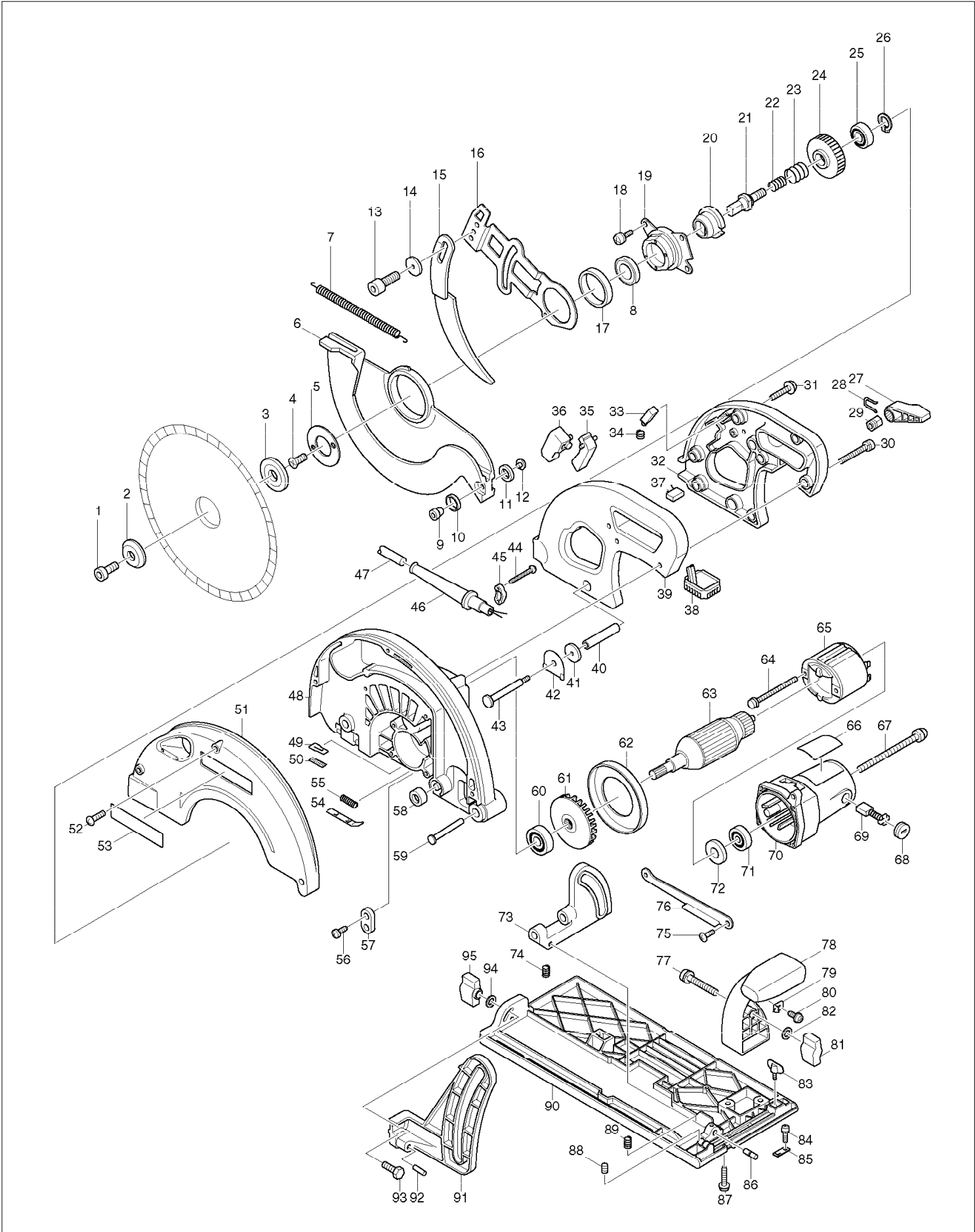


SERVICE DRAWING

MODEL NO. 5103R



SPARE PARTS LIST

MODEL NO. 5103R

ITEM	PART NO.	DESCRIPTION	QTY	NOTE
001	266083-2	HEX. SOCKET HEAD BOLT M10X25	1	
002	224325-0	OUTER FLANGE 45	1	
003	224326-8	INNER FLANGE 45	1	
004	912222-9	COUNTERSUNK HEAD SCREW M5X16	2	
005	285681-3	BEARING RETAINER 34-62	1	
006	318062-7	SAFETY COVER	1	
007	231841-5	TENSION SPRING 6	1	
008	211278-2	BALL BEARING 6203DDW	1	
009	415437-2	ROLLER PIN 6	1	
010	415438-0	ROLLER 20	1	
011	415438-0	ROLLER 20	1	
012	415437-2	ROLLER PIN 6	1	
013	922422-3	HEX. SOCKET HEAD BOLT M8X16	1	
014	267284-5	FLAT WASHER 8	1	
015	345750-3	RIVING KNIFE	1	
016	345752-9	RIVING KNIFE HOLDER	1	
017	344303-5	THICKNESS RING	1	
018	911223-4	PAN HEAD SCREW M5X16	4	
019	316709-7	BEARING BOX	1	
020	322830-2	LOCK SLEEVE	1	
021	322827-1	SPINDLE	1	
022	231968-1	LOCK SPRING 27	1	
023	231969-9	LOCK SPRING 20	1	
024	226452-9	HELICAL GEAR 39	1	
025	211104-5	BALL BEARING 6001	1	
026	961052-5	RETAINING RING S-12	1	
027	272230-5	LEVER 54	1	
028	231955-0	RING SPRING 12	1	
029	252134-7	HEX. NUT M8	1	
030	911263-2	PAN HEAD SCREW M5X40	3	
031	266041-8	TAPPING SCREW 5X25	4	
032	182773-8	HANDLE SET INC. 39	1	
033	415440-3	LOCK-OFF BUTTON	1	
034	231230-4	COMPRESSION SPRING 4	1	
035	415439-8	SWITCH LEVER	1	
036	651923-1	SWITCH TG70B	1	
037	645105-5	NOISE SUPPRESSOR	1	
038	631209-9	CONTROLLER 200/220/240V	1	
039	182773-8	HANDLE SET INC. 32	1	
040	331469-0	PIPE 9	1	
041	267216-2	FLAT WASHER 8	1	
042	232151-3	LEAF SPRING	1	
043	266019-1	CAP SQUARE NECK BOLT M8X98	1	
044	265995-6	TAPPING SCREW 4X18	2	
045	687052-4	STRAIN RELIEF	1	
046	682540-6	CORD GUARD 9.3-90	1	
047	665865-3	POWER SUPPLY CORD 1.0-2-2.5	1	
048	158090-8	BLADE CASE COMPLETE	1	
049	443098-8	FELT	1	
050	344263-1	PLATE	1	
051	316705-5	BLADE CASE COVER	1	
052	266036-1	TAPPING SCREW BIND CT 5X20	3	
053	819084-5	MAKITA LABEL	1	
054	344261-5	SHAFT LOCK	1	
055	233084-5	COMPRESSION SPRING 6	1	
056	266034-5	TAPPING SCREW CT 4X16	2	
057	687053-2	STRAIN RELIEF	1	
058	262007-6	RUBBER RING 8	1	
059	268008-2	PIN 10	1	

SPARE PARTS LIST

MODEL NO. 5103R

ITEM	PART NO.	DESCRIPTION	QTY	NOTE
060	211236-8	BALL BEARING 6002DDW	1	
061	241889-9	FAN 74	1	
062	415768-9	BAFFLE PLATE	1	
063	516653-0	ARMATURE ASS'Y 220/240V INC. 71,72	1	
064	911944-8	PAN HEAD SCREW M5X80	2	
065	596318-0	FIELD ASS'Y 220-240V	1	
066	857935-4	NAME PLATE 5103R	1	
067	911288-6	PAN HEAD SCREW M5X65	4	
068	643700-5	BRUSH HOLDER CAP 7-18	2	
069	191953-5	CARBON BRUSH CB-203	1	
070	158628-9	MOTOR HOUSING 200-240V	1	
071	210042-8	BALL BEARING 629LLB	1	
072	681633-6	INSULATION WASHER	1	
073	316779-6	ANGULAR PLATE	1	
074	266039-5	H.S.SET SCREW(FLAT POINT) M6X6	1	
075	265028-7	+ PAN HEAD SCREW M4X11	1	
076	152511-2	LINK COMPLETE	1	
077	921477-5	HEX. BOLT M8X55	1	
078	415722-3	ANGULAR PLATE GUIDE	1	
079	816128-2	POINTER	1	
080	266020-6	TAPPING SCREW 4X12	1	
081	252626-6	WING NUT	1	
082	941201-0	FLAT WASHER 8	1	
083	265701-9	SCREW M6X14	1	
084	911109-2	PAN HEAD SCREW M4X8	1	
085	415433-0	TOP GUIDE	1	
086	256231-1	PIN 6	1	
087	266021-4	TAPPING SCREW 5X20	2	
088	266039-5	H.S.SET SCREW(FLAT POINT) M6X6	1	
089	265993-0	H.S.SET SCREW(CUP POINT)M4X5	1	
090	316706-3	BASE	1	
091	316708-9	DEPTH GUIDE	1	
092	951210-1	SPRING PIN 6-20	1	
093	921342-8	HEX. BOLT M6X25	1	
094	941151-9	FLAT WASHER 6	1	
095	252624-0	WING NUT M6	1	
A01	B-12859	TCT SAW BLADE 270X18TX30	1	
A02	165084-6	GUIDE RULE	1	
A03	783204-6	HEX. WRENCH 6	1	
E02	654079-9	INSULATED RECEPTACLE DF1.25	4	
E03	654509-0	CONNECTOR 2-SD	4	
E04	654510-5	INSULATED CONNECTOR 5.5-SD	2	
E05	654082-0	INSULATED RECEPTACLE DF2-187A	2	
E06	415426-7	JOINT	1	
E07	266026-4	TAPPING SCREW BIND CT 4X12	2	
E08	651941-9	SWITCH V-15-2A5	1	