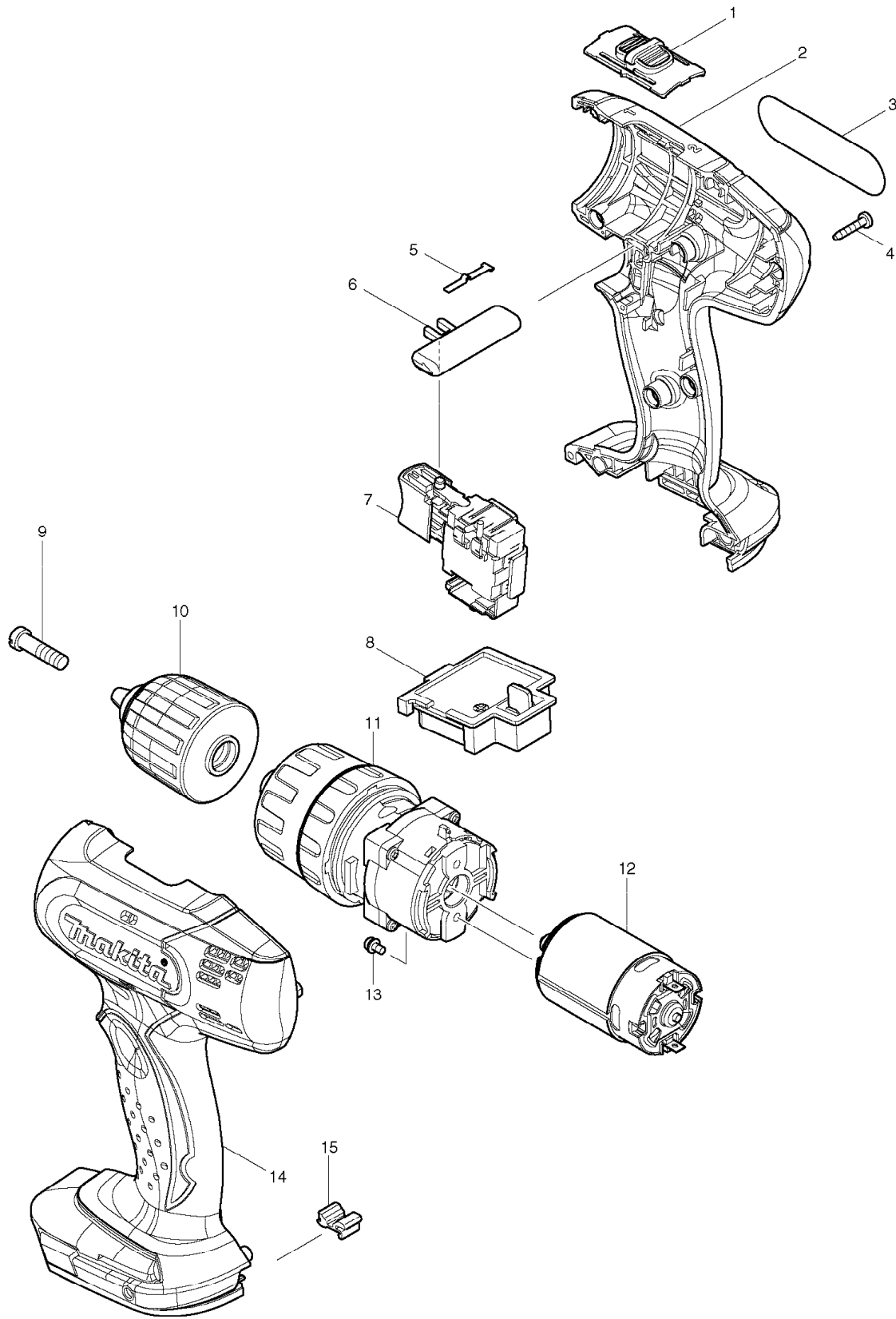


SERVICE DRAWING

MODEL NO. BHP343



SPARE PARTS LIST

MODEL NO. BHP343

| ITEM | PART NO. | DESCRIPTION | QTY | NOTE |
|------|-----------|----------------------------|-----|------|
| 001 | 125310-5 | SPEED CHANGE LEVER ASS'Y | 1 | |
| 002 | 188616-2 | HOUSING SET INC. 14 | 1 | |
| 003 | 865437-6 | BHP343 NAME PLATE | 1 | |
| 004 | 266130-9 | TAPPING SCREW BIND PT 3X16 | 9 | |
| 005 | 232182-2 | LEAF SPRING | 1 | |
| 006 | 419250-0 | F/R CHANGE LEVER | 1 | |
| 007 | 650605-2 | SWITCH TG563FSB-5 | 1 | |
| 008 | 643828-9 | TERMINAL | 1 | |
| 009 | 251468-5 | - FLAT HEAD SCREW M6X22 | 1 | |
| 010 | 766003-1 | KEYLESS DRILL CHUCK 10 | 1 | |
| 011 | 125484-2 | GEAR ASS'Y | 1 | |
| 012 | 629823-3 | DC MOTOR | 1 | |
| 013 | 911003-8 | PAN HEAD SCREW M3X6 | 2 | |
| 014 | 188616-2 | HOUSING SET INC. 2 | 1 | |
| 015 | 424026-2 | CUSHION | 1 | |
| A01 | 784636-0 | + - BIT 2-65 | 1 | |
| A02 | ***DC18SD | DC18SD BATTERY CHARGER | 1 | |
| A03 | 194558-0 | BATTERY BL1415 SET | 2 | |
| A04 | 450128-8 | BATTERY COVER | 1 | |
| A05 | 158777-2 | PLASTIC CARRYING CASE | 1 | |